

# GalvinLab CP-BS Lab Set Vandal Resistant Top Assembly with H&B



## PRODUCT CODES

- 46425
- 46430



## SPECIFICATIONS

- Vandal resistant handle with a locking ring to secure the handle to the spindle, which may only be removed using the key provided
- Standard with jumper valve
- High quality chrome finish for easy cleaning and hygiene maintenance
- Australian Made; therefore, spare parts and support are available locally, reducing costs of down time on maintenance

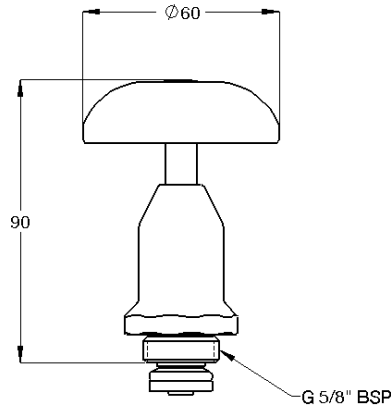
**IMPORTANT:** All GalvinLab taps are tested in accordance with AS/NZS 3718 and leave our premises in good working order.

## TECHNICAL DATA

Inlet	G 5/8" BSP – Male	
Outlet	N/A	
Headwork	Jumper Valve	
Working Pressure Range (kPa)	Min	5
	Max	80
Working Temperature Range (°C)	Min	50
	Max	500
Nominal Flow Rate (LPM)	N/A	
Construction	Brass	
Finish	Chrome	

**NOTE:** Galvin Engineering continually strive to improve their products. Specifications may change without notice.

**DIMENSIONS**



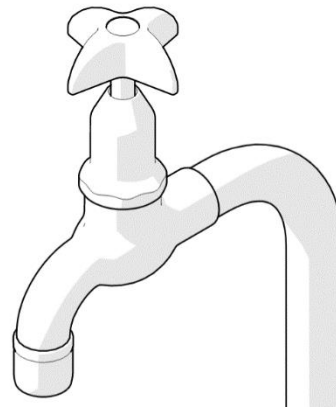
**46425 / 46430**

**INSTALLATION**

**INSTALLATION COMPLIANCE:** Galvin Engineering products must be installed in accordance with these installation instructions and in accordance with AS/NZS 3500, the PCA and your local regulatory requirements. Water and/or electrical supply conditions must also comply to the applicable national and/or state standards. Failing to comply with these provisions shall void the product warranty and may affect the performance of the product.



- 1. Replace existing top assembly**
  - Remove existing top assembly and replace with new top assembly
  - Use supplied spanner to tighten



- 2. Testing**
  - Turn on water supply and check for correct operation

<b>TROUBLESHOOTING</b>		
<b>PROBLEM</b>	<b>CAUSE</b>	<b>RECTIFICATION</b>
Inconsistent flow	Blocked top assembly	Remove top assembly and clean
Water is not flowing from tap	Water is turned off	Turn on water
	Blocked flow restrictor	Remove restrictor and clean/replace
Continuous flow	Top assembly cartridge loose or internally obstructed or damaged	Remove cartridge, clean with water and re-grease spindle if required

**WARRANTY**

The warranty set forth herein is given expressly and is the only warranty given by the Galvin Engineering Pty Ltd. With respect to the product, Galvin Engineering Pty Ltd makes no other warranties, express or implied. Galvin Engineering Pty. Ltd. hereby specifically disclaims all other warranties, express or implied, including but not limited to the implied warranties of merchantability and fitness for a particular purpose.

Galvin Engineering Pty Ltd products are covered under our manufacturer’s warranty available for download from [www.galvinengineering.com.au](http://www.galvinengineering.com.au) Galvin Engineering Pty Ltd expressly warrants that the product is free from operational defects in workmanship and materials for the warranty period as shown on the schedule in the manufacturer’s warranty. During the warranty period, Galvin Engineering will replace or repair any defective products manufactured by Galvin Engineering without charge, so long as the terms of the Manufacturer’s warranty are complied with.

The remedy described in the first paragraph of this warranty shall constitute the sole and exclusive remedy for breach of warranty, and Galvin Engineering Pty Ltd shall not be responsible for any incidental, special or consequential damages, including without limitation, lost profits or the cost of repairing or replacing other property which is damaged if this product does not work properly, other costs resulting from labour charges, delays, vandalism, negligence, fouling caused by foreign material, damage from adverse water conditions, chemical, electrical or any other circumstances over which Galvin Engineering has no control. This warranty shall be invalidated by any abuse, misuse, misapplication, improper installation or improper maintenance or alteration of the product.

